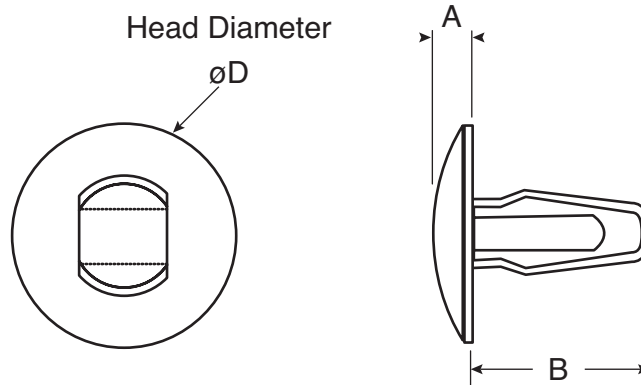


Snap Clips

561-1250032, 561-1250062, 561-1250093,
 561-1250125, 561-1560032, 561-1560062,
 561-1560093, 561-1560125, 561-1560156,
 561-1870032, 561-1870062, 561-1870093,
 561-1870125, 561-1870156, 561-1870187,
 561-2190032, 561-2190062, 561-2190093,
 561-2190125, 561-2190156, 561-2190187,
 561-2500032, 561-2500062, 561-2500093,
 561-2500125

Date Last Revised: 12-17-07



Dimensions: in. (mm)

- A combination of Celcon Acetal material, and a resilient body design, give these parts a positive “snap” and a more definite grip when assembled into place
- Designed for other hole sizes from 1/8" to 1/4" and panel thickness from 1/32" to 3/16"
- RoHS Compliant

SPECIFICATIONS

Mouser Num.	A	D	B	Hole Size	Panel Thickness	Mouser Num.	A	D	B	Hole Size	Panel Thickness
561-1250032	.06	0.25	0.25 (6.35)	0.125	0.032	561-1870156	.06	0.3125	0.4375 (11.11)	0.187	0.156
561-1250062	.06	0.25	0.281 (7.14)	0.125	0.032	561-1870187	.06	0.3125	0.469 (11.91)	0.187	0.187
561-1250093	.06	0.25	0.3125 (7.94)	0.125	0.093	561-2190032	.06	0.344	0.391 (9.93)	0.219	0.032
561-1250125	.06	0.25	0.344 (8.74)	0.125	0.125	561-2190062	.06	0.344	0.422 (10.72)	0.219	0.062
561-1560032	.06	0.3125	0.281 (7.14)	0.156	0.032	561-2190093	.06	0.344	0.453 (11.51)	0.219	0.093
561-1560062	.06	0.3125	0.3125 (7.94)	0.156	0.062	561-2190125	.06	0.344	0.484 (12.29)	0.219	0.125
561-1560093	.06	0.3125	0.344 (8.74)	0.156	0.093	561-2190156	.06	0.344	0.516 (13.10)	0.219	0.156
561-1560125	.06	0.3125	0.375 (9.53)	0.156	0.125	561-2190187	.06	0.344	0.547 (13.89)	0.219	0.187
561-1560156	.06	0.3125	0.406 (10.31)	0.156	0.156	561-2500032	.06	0.5	0.406 (10.31)	0.25	0.032
561-1870032	.06	0.3125	0.3125 (7.94)	0.187	0.032	561-2500062	.06	0.5	0.422 (10.72)	0.25	0.062
561-1870062	.06	0.3125	0.344 (8.74)	0.187	0.062	561-2500093	.06	0.5	0.453 (11.51)	0.25	0.093
561-1870093	.06	0.3125	0.375 (9.53)	0.187	0.093	561-2500125	.06	0.5	0.484 (12.29)	0.25	0.125
561-1870125	.06	0.3125	0.406 (10.31)	0.187	0.125						

Available from Mouser Electronics
 1-800-346-6873 / www.mouser.com

EPD-200447